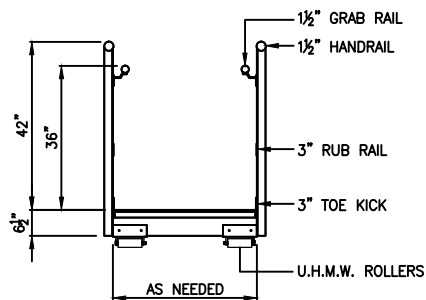


ELEVATION VIEW OF ALUMINUM GANGWAY
SCALE: N.T.S.



GANGWAY - SECTION
SCALE: N.T.S.

NOTES:

1. BRISTOL INDUSTRIES OF PENNSYLVANIA, INC. GANGWAYS ARE FABRICATED FROM 6000 SERIES EXTRUDED ALUMINUM - INDICATED BY THE ALUMINUM ASSOCIATION OF AMERICA AS THE MOST DURABLE ALLOY IN A SALT MARINE ENVIRONMENT. ALL FASTENERS ARE STAINLESS STEEL.
2. HANDRAILS ARE DESIGNED TO WITHSTAND A 200 POUND LOADING APPLIED FROM ANY DIRECTIONS AT ANY POINT ON THE HANDRAIL.
3. DESIGN LIVE LOAD EXCEEDS 100 PSF.
4. WALKWAY SURFACE HAS INTEGRAL "ROTEX" NON-SKID PLANKING WITH 3/8" SPACING BETWEEN PLANKS.

APPROVED	
<input type="checkbox"/> AS IS	<input type="checkbox"/> WITH CHANGES
SIGN: _____	DATE: _____

DISCLAIMER
 INFORMATION CONTAINED HEREIN IS PROPRIETARY TO BRISTOL INDUSTRIES OF PENNSYLVANIA, INC. AND IS NOT TO BE COPIED, ALTERED, USED OR DISCLOSED IN ANY MANNER WITHOUT WRITTEN CONSENT OF BRISTOL INDUSTRIES OF PENNSYLVANIA, INC.

NUM:	DATE:	REVISIONS:

	BRISTOL INDUSTRIES OF PENNSYLVANIA INC.	
	PROJECT: _____	
	TITLE: STANDARD GANGWAY	SCALE: N.T.S. DRAWN BY: G.T.C. DWG NUM: _____